



Catálogo de Produtos

Electrical amplifier type VT-5011 to 5018

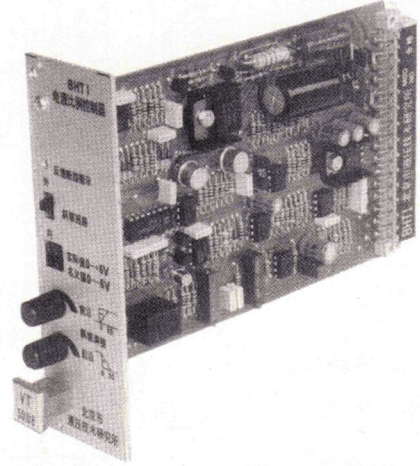
BEIJING HUADE HYDRAULIC INDUSTRIAL GROUP CO.,LTD	Electronic amplifier Type VT 5011 to VT5018, series 30 for the control of proportional throttle valves type FE..C	RC29956/9.2006
		Replaces RC 29956/04.1998

Amplifier type VT5011 to VT5018 are used for controlling proportionally controlled throttle valves type FE..C

They basically consist of :

- a smoothing circuit
- Voltage stabiliser
- 1 switching power amplifier
- Pulse width modulator
- oscillator and demodulator for the inductive position feedback
- PID regulator
- Ramp generator
- Function generator
- Differential amplifier input

Suitable card holder
 VT — 3002 RC 29916
 VT — 1516 RC 29915
 VT — 1700 RC 29917



VT-5011S20/...

Technical data

Weight		0.40kg
Supply voltage	Full wave rectification	24V _{eff} ± 10%
	3 phase supply	24V–35V _{eff}
Power requirement		50VA
Fuse wire		3A
Controlled voltage		± 9V
The min.load resistance control voltage		500 Ω
Max.output current — solenoid A		2.2A
Ambient temperature		0...45°C
The frequency of oscillation		2.5KHz
Space requirement		40mm

For further details, please consult us!

Ordering code

VT 501 BS 30 *

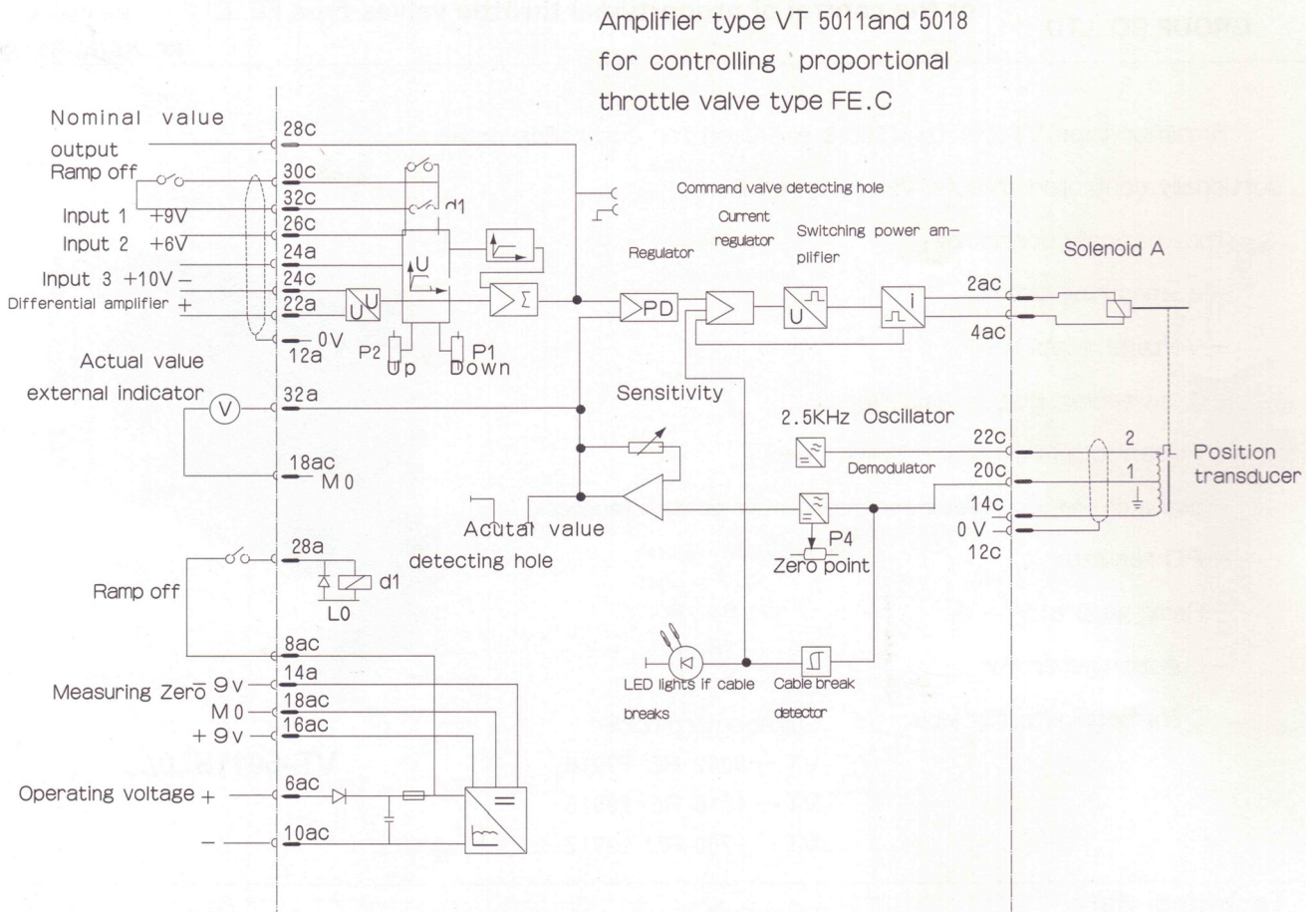
For valve FE	size 32=3	size 63=6
size 16=1	size 40=4	size 80=7
size 25=2	size 50=5	size 100=8

32 pin linear plug as per DIN41612 (EURO card format) =S

Further details in clear text

30 = 30 Series
(30–39=the amounting dimension remains unchanged)

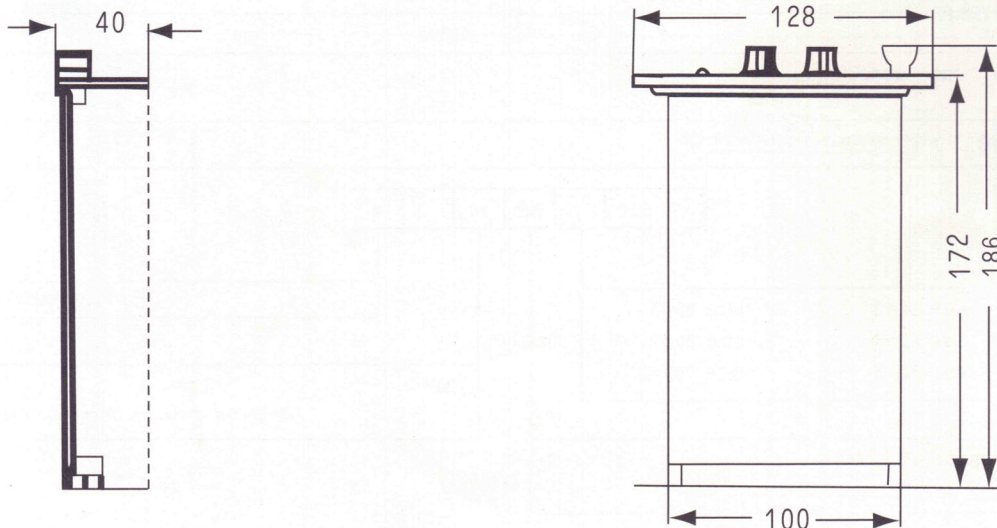
Terminal connection



- The amplifier card may only be plugged or unplugged when the power is off!
- Measurements to be made with a high resistance meter set on the voltage range!
- Do not connect measuring zero(M0) to 0V operating voltage!
- The distance to aerial lines, radio sources and radar equipment must be at least 1 meter
- Command level inputs may only be switched with contacts suitable for current of <math><1\text{mA}</math>!
- Always shield command value cables; connect the shield on the card side to the 0V operating voltage, leave the other end open.
- Do not lay solenoid and signal cables near power cables.

Unit Dimensions

(dimensions in mm)



ANNOTATIONS :

HUADE AMÉRICA

CEP : 03162-020

RUA HIPÓDROMO 1445 – MOOCA, SÃO PAULO, SP, BRASIL

TEL : (11) 3186-5959

huade@huade.com.br

www.huade.com.br